

NOT452
09.23

Saniaccess 3



FR NOTICE D'INSTALLATION

UK INSTALLATION INSTRUCTIONS

DE INSTALLATIONSHINWEISE

IT STRUZIONI PER L'INSTALLAZIONE

ES MANUAL DE INSTALACIÓN

PT MANUAL DE INSTALAÇÃO

NL INSTALLATIE VOORSCHRIFTEN

SE INSTALLATIONSANVISNING

DK INSTALLATIONSVEJLEDNING

NO INSTALLASJONSANVISING

FI ASENNUSOHJEET

HU FELSZERELÉSI ÉS KEZELÉSI ÚTMUTATÓ

PL INSTRUKCJA INSTALACJI

RU ИНСТРУКЦИЯ ПО МОНТАЖУ И ЭКСПЛУАТАЦИИ

RO MANUAL DE INSTALARE

CZ NÁVOD K INSTALACI A POUŽÍVÁNÍ

TR KURULUM KILAVUZU

EL ΟΔΗΓΙΕΣ ΕΓΚΑΤΑΣΤΑΣΗΣ

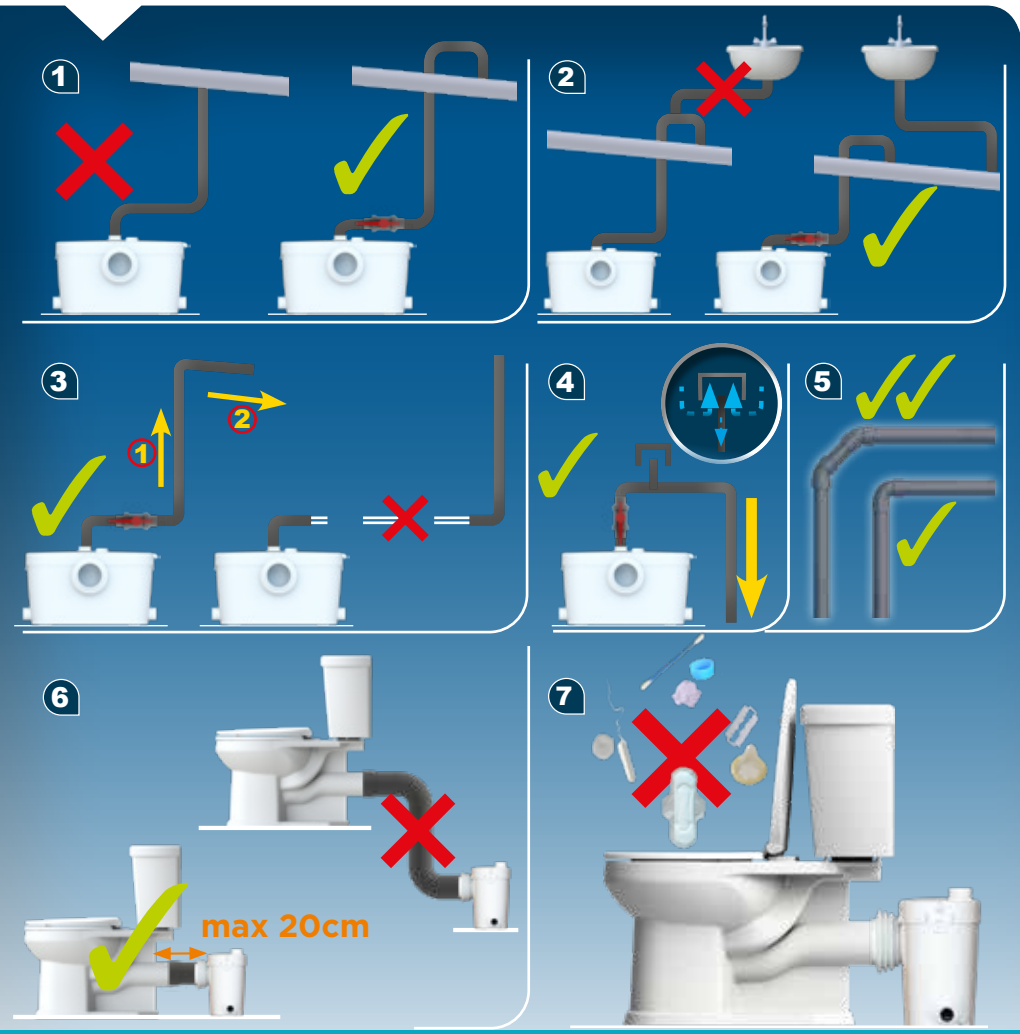
CN 用户应保留安装指南以备

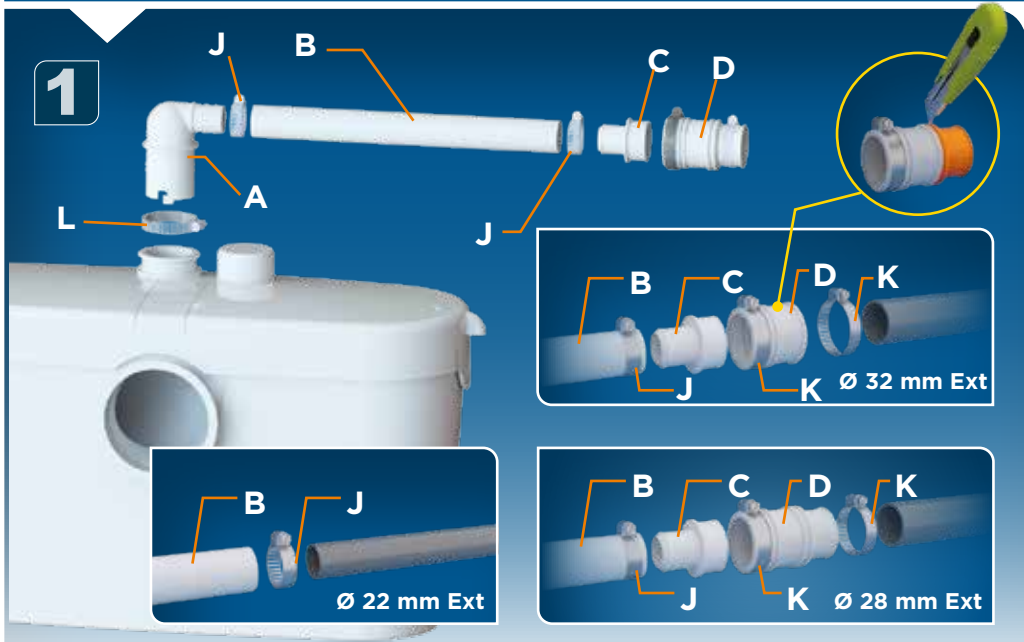
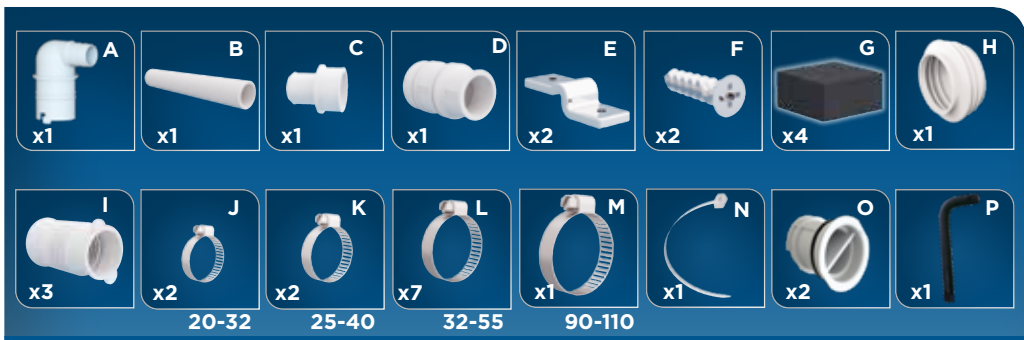
KR 설치내용서

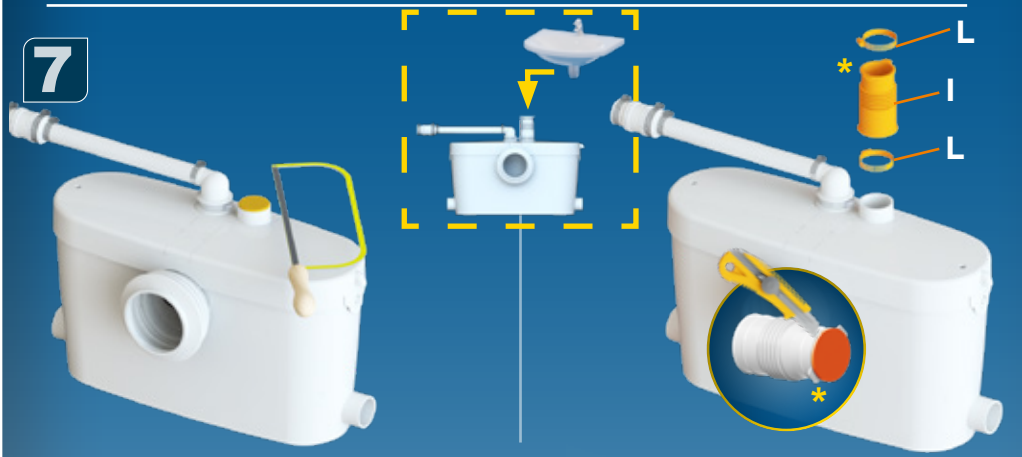
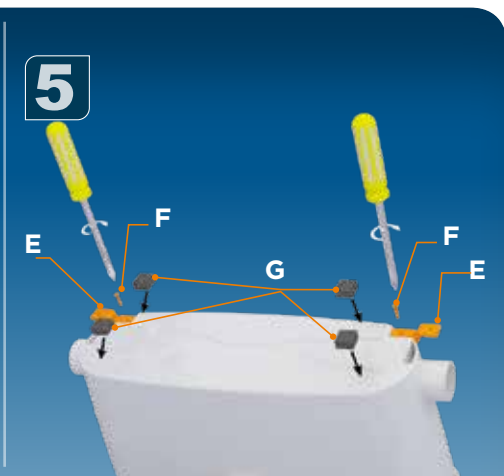
HR UPUTA ZA INSTALACIJU

AR بي-نورعتلا قيرط











MAINTENANCE



1



2



3



4



5



L N C ⊕

6



7



8





MAINTENANCE



1



2



3

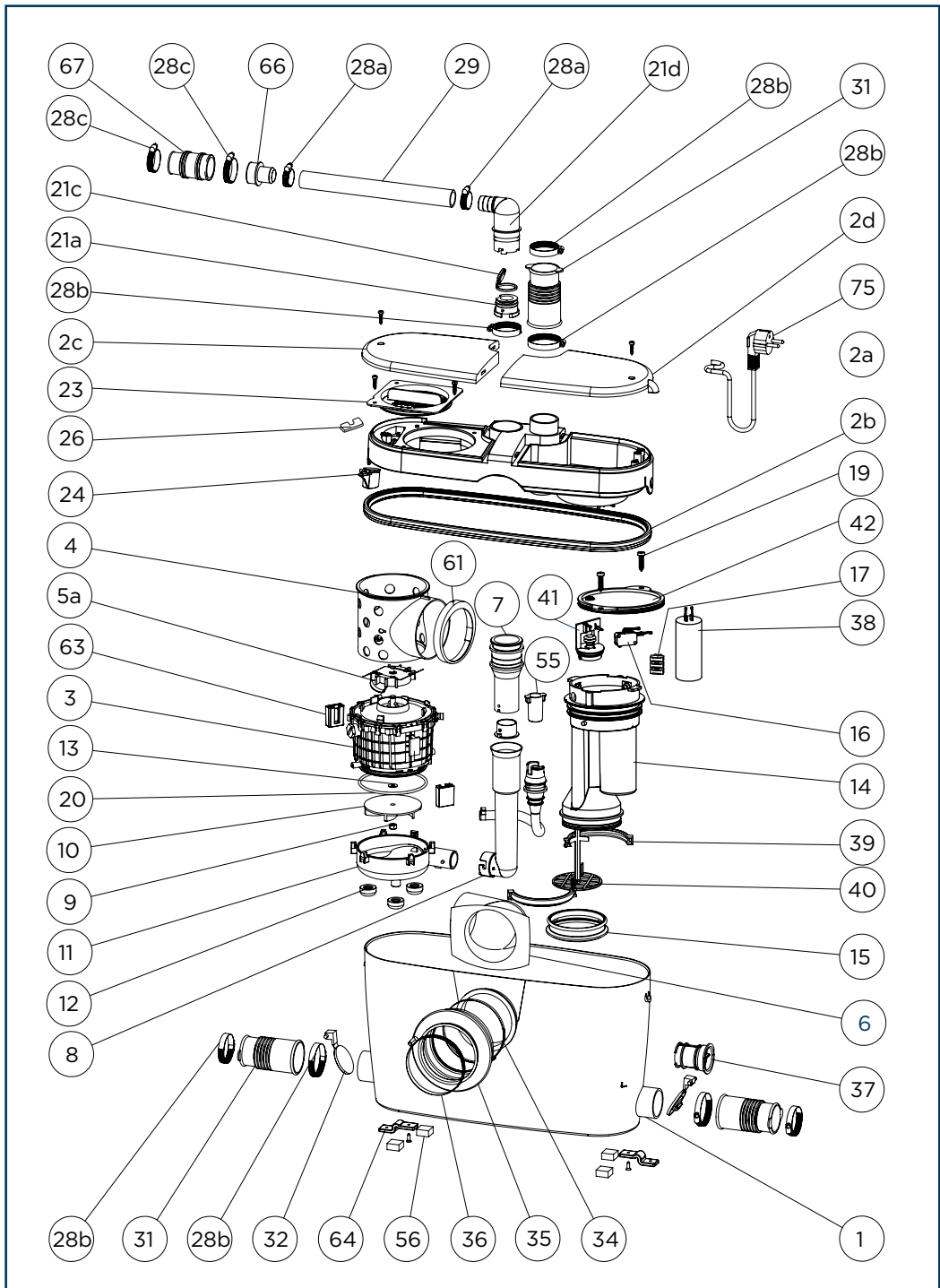


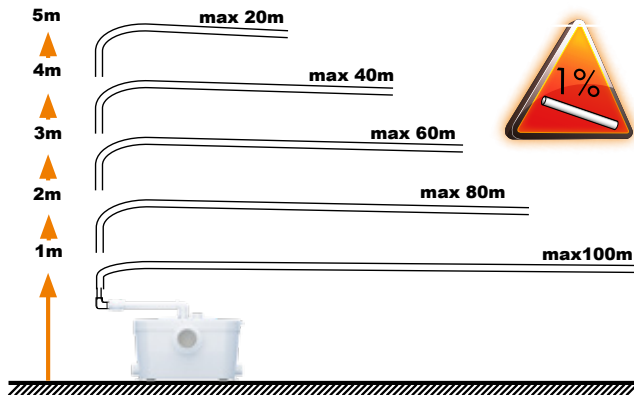
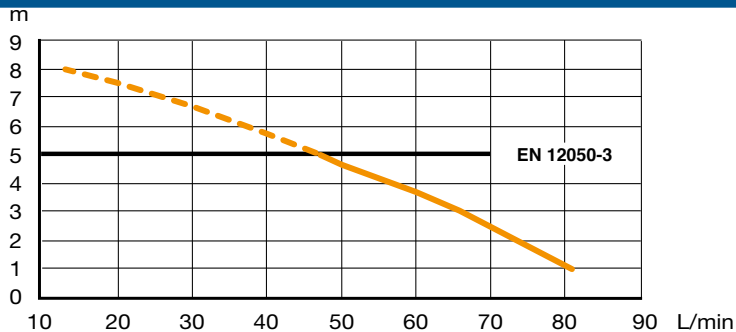
4



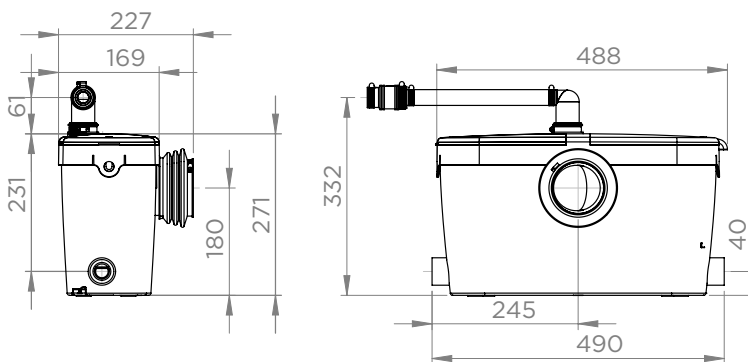
5







SANIACCESS 3
 P30 - EN12050-3
 220-240V -
 50/60Hz
 400 W- 1,9A - \oplus
 IP44 - 6,4 kg



SERVICE HELPLINES

France
 Tel. 01 44 82 25 55
 Fax. 03 44 94 46 19

United Kingdom
 Tel. 08457 650011 (Call from a land line)
 Fax. 020 8842 1671

Ireland
 Tel. 1850 23 24 25 (LOW CALL)
 Fax. + 353 46 97 33 093

Australia
 Tel. +1300 554 779
 Fax. +61.2.9882.6950

Deutschland
 Tel. 0800 82 27 82 0
 Fax. (060 74) 30928-90

Italia
 Tel. 0382 6181
 Fax. +39 0382 618200

España
 Tel. +34 93 544 60 76
 Fax. +34 93 462 18 96

Portugal
 Tel. +35 21 911 27 85
 Fax. +35 21 957 70 00

Suisse Schweiz Svizzera
 Tel. +41 (0)32 631 04 74
 Fax. +41 (0)32 631 04 75

Benelux
 Tel. +31 475 487100
 Fax. +31 475 486515

Sverige
 Tel. +08-404 15 30

Norge
 Tel. +08-404 15 30

Polska
 Tel. (+4822) 732 00 33
 Fax. (+4822) 751 35 16

РОССИЯ
 Tel. (495) 258 29 51
 Fax. (495) 258 29 51

Česká Republika
 Tel. +420 266 712 855
 Fax. +420 266 712 856

România
 Tel. +40 724 364 543
 service@saniif.ro

Türkiye
 Tel. +90 212 275 30 88
 Fax. +90 212 275 90 58

Brazil
 Tel. (11) 3052-2292

中国
 Tel. +86(0)21 6218 8969
 Fax. +86(0)21 6218 8970

South Africa
 Tel. +27 (0) 21 286 00 28

Service information : www.sfa.biz

