



Model shown: SANIACCESS® 2

APPLICATIONS

SANIACCESS® 1



WC

SANIACCESS® 2



WC



Basin

SANIACCESS® 3



WC



Basin



Bidet



Shower

PUMPING DISTANCE



WARRANTY



SANIACCESS® 1

Product Code: 1900

Barcode:

EAN 3308815013169

SANIACCESS® 2

Product Code: 1901

Barcode:

EAN 3308815013176

SANIACCESS® 3

Product Code: 1902

Barcode:

EAN 3308815013183

SANIACCESS® 1 - 2 - 3



Maintenance is easy
with double access to the product.

Flow: 80l/min.

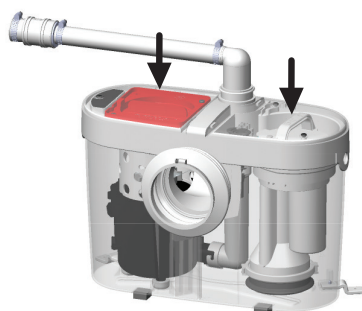


Easy maintenance with dual-access to the
product: ideal for rental properties.

Low noise level: 46dB(A).



DOUBLE ACCESS TO THE PRODUCT



- ➔ Direct access to the basket in case of blockage due to improper use of the device
- ➔ Direct access to the electrics should any parts need maintenance or repair

PACKAGING

SANIACCESS®

Non-return valve

Connectors

Activated carbon filter included, to neutralise odours

TECHNICAL FEATURES

Number of inlets available	1 (SANIACCESS® 1) 2 (SANIACCESS® 2) 4 (SANIACCESS® 3)
Ø inlet	40 mm
Ø discharge pipework	22/28/32 mm
Motor power	400W
Voltage	220-240 V/50 Hz
Electrical class	Single phase
IP rating	IP44
Shower tray height	15 cm
Sound level	46dB(A)
Weight	6.7 kg (SANIACCESS® 1 & 2) 7.5 kg (SANIACCESS® 3)

PUMP CURVE

