

Sanicubic 2 GR HP

Grey water, black water

The Sanicubic 2 GR HP is a floor-mounted twin-motor high-performance lifting station, for black waste water from individual homes or several flats, small commercial businesses, shops or the catering trade. Both motors work alternately, which increases reliability and longevity. In the event of a large intake of water, both pumps can be activated simultaneously. The lifting station is equipped with a dip tube that controls the motor and the alarm system. The Sanicubic 2 GR HP comes with a wired control box and an alarm box. An interactive Smart control box is available as an option.



PERFORMANCE

- Max. head : 18 m
- Max. flow rate : 17 m³/h

PRODUCT BENEFITS

- Floor standing for ease of installation
- Easy access to the pressure switch and motor for maintenance
- Pro XK2 stainless steel grinder technology
- Can handle temperatures up to 90°C (max 5 mins)
- 2 side inlets DN 100 mm
- Non-return valve included
- Control box and alarm box included
- 2 independent motors ensure a failsafe, continuous operation



See page 10



DELIVERED AS STANDARD



Remote wired audible and visual alarm unit (5m)



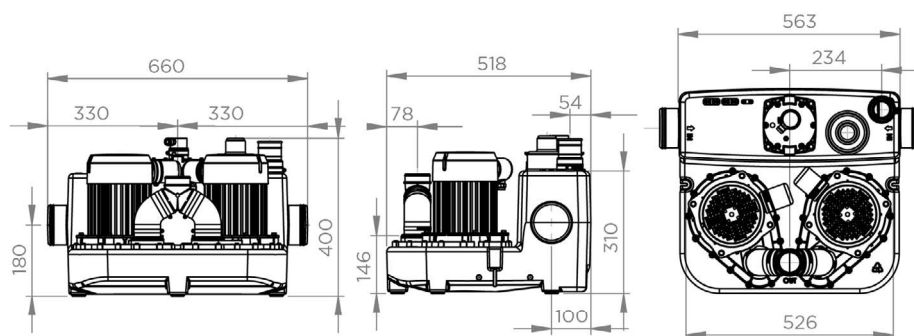
Classic control box

OPTIONAL EXTRAS

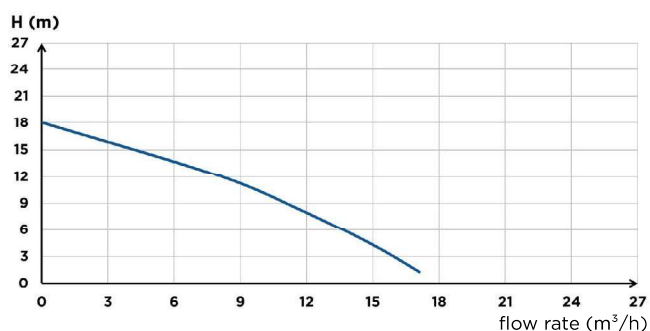


Sanicubic carbon filter
Product code: 1108
Barcode: 3308815077529

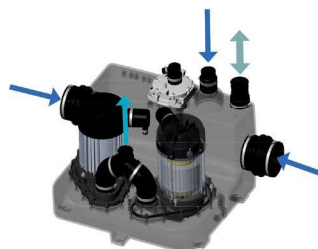
DIMENSIONS






CURVE



CONNECTIONS



-  External inlet diameter : 100 mm
-  Discharge diameter ext. : 50 mm
-  Ext. ventilation diameter : 50 mm

	Sanicubic 2 GR HP
Type of control box	Classic
Material	
Tank	HD PE
Pump housing	PA 12 GF
Motor housing	Aluminium
Impeller	PP GF
Electrical features	
Voltage (V)	220-240
Frequency (Hz)	50-60
Power consumption P1 (W)	2000
Power output P2 (W)	1400
Mode of operation	S3 50 %
IP rating	IPX4
Hydraulics	
Max. head (m)	18
Max. flow rate (m³/h)	17
External inlet diameter (mm)	100
Discharge diameter ext. (mm)	50
Ext. ventilation diameter (mm)	50
Total volume (L)	39
Useable volume (L)	15
ON level /OFF level (mm)	155/60
Alarm level (mm)	225
Max. temperature of the pumped liquid (5 min)	90°C
Type of impeller	Pro X K2 grinder
Type of activation	pneumatic
Identification and logistics	
EAN code	3308815090122
Product code	30017