

Sanifos 110

Grey water

The Sanifos 110 is a grey water compact lifting station designed to lift grey water from an individual house or extension: sink, washing machine etc. It can be used for garden rooms or offices that needs grey water removing. The pump uses the Closed impeller technology. It is operated by a float switch for autonomous operation and can handle water up to 90°C. Sanifos 110 comes with pre-mounted pipework and a cable gland for the motor cable outlet and the bottom of the tank is self-cleaning. Its 4 inlets of different diameters allow for flexible installation.



PERFORMANCE

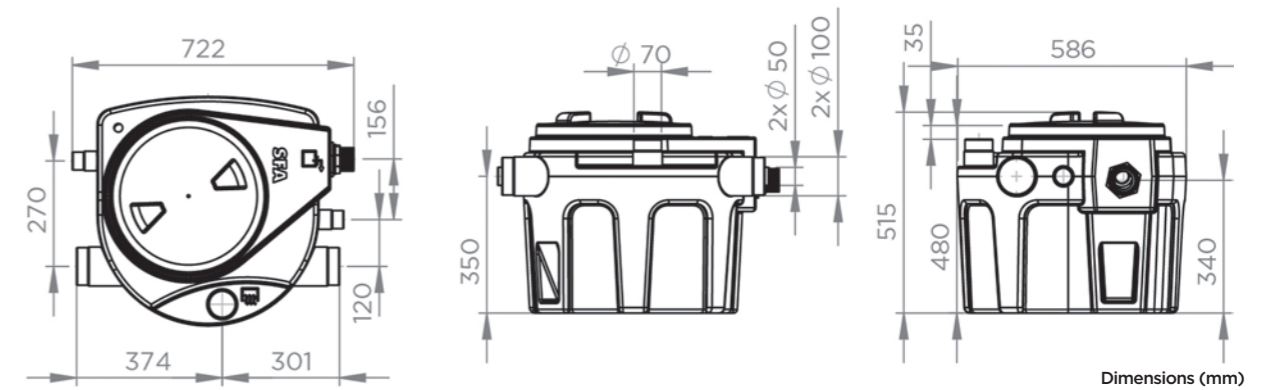
- Total head: 10 m
- Max. flow rate: 14 m³/h

PRODUCT BENEFITS

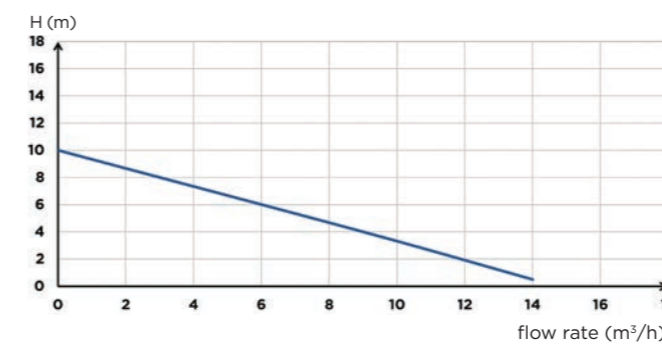
- Complete solution
- Easy installation: pre-assembled elements
- Closed impeller
- 4 inlets
- Easy access to the pump with screw-on pedestrian cover
- Automatic pump operation
- Optional complete discharge kit available



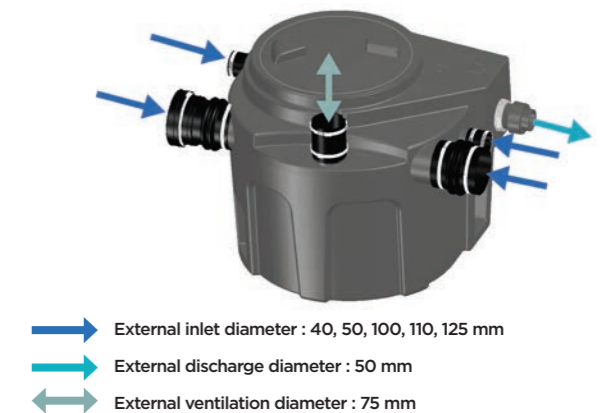
DIMENSIONS



CURVE



CONNECTIONS



DELIVERED AS STANDARD



- Tank with pre-assembled hydraulic and sealing gasket, Sanisub ZPK 40 AV pump, PVC pipe, pedestrian cover



Sanisub ZPK 40 AV

Closed impeller

OPTIONAL EXTRAS (SEE ACCESSORIES PAGES)



Sanifos 110 evacuation kit
Barcode: 3308815077024
Product code: 40500



Isolation valve
DN100 shut-off valve
Product code: 1107

	Sanifos 110 ZPK 40 AV
Number of pumps	1
Material	
Tank	PE
Pipework	PVC
Electrical features	
See electrical features for pump on page 84	
Hydraulics	
Max. head (m)	10
Max. flow rate (m ³ /h)	14
External inlet diameter (mm)	40, 50, 100, 110, 125
External discharge diameter (mm)	50
External ventilation diameter (mm)	75
Total volume (L)	110
Useable volume (L)	38
ON level /OFF level (mm)	240/100
Min. incoming water connection (mm)	182
Type of impeller	Closed impeller
Type of activation	float
Identification and logistics	
Gross weight (kg)	33.6
Barcode	3308815085951
Product code	31001