

# Sanipump ZFS 71

The Sanipump ZFS 71 is a cast iron submersible pump for lifting waste water (collective sanitary facilities) up to a height of 39 m. Sanipump ZFS 71 is equipped with a grinder impeller. It is available in single-phase and three-phase versions and is compatible with Sanifos 1600/2100/3100.



## PERFORMANCE

- Total head: 39 m
- Max. flow rate: 17 m<sup>3</sup>/h

DEPENDING ON MODEL

## PRODUCT BENEFITS

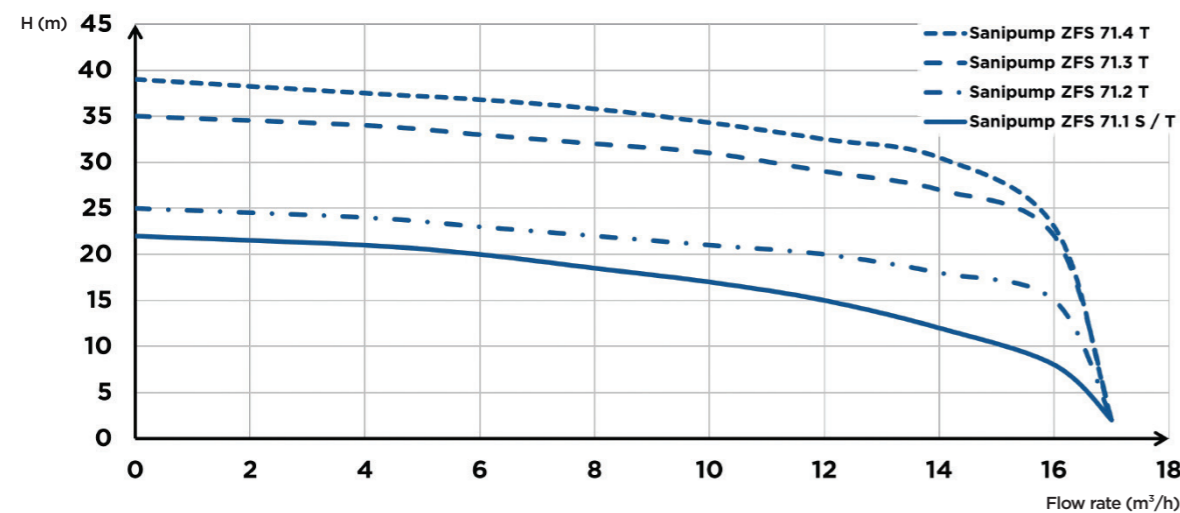
- Mode S1 (if motor fully immersed)
- ATEX pump
- 5 versions, single and three-phase
- Discharge in DN50
- Double mechanical seal
- Compatible with Sanifos 1600/2100/3100

## PACKAGING

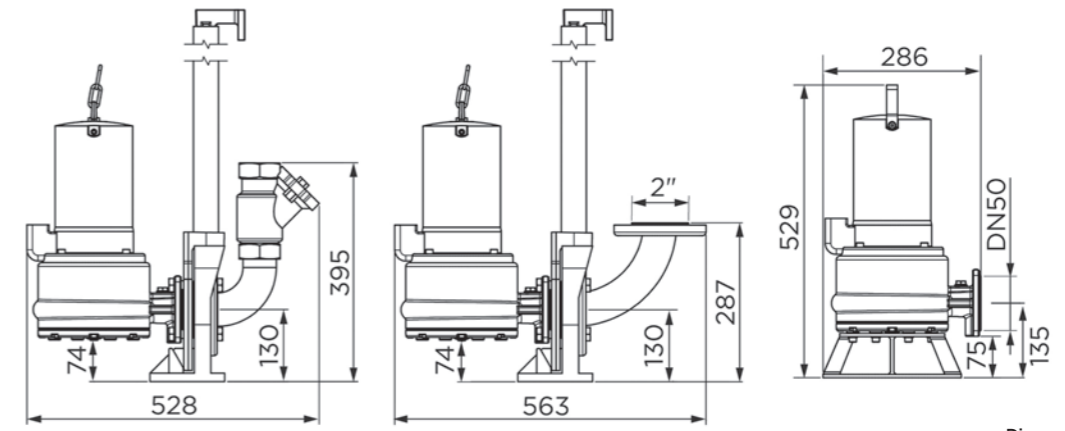
Sanipump ZFS pump



## CURVE



## DIMENSIONS



	Sanipump ZFS 71.1 S	Sanipump ZFS 71.1 T	Sanipump ZFS 71.2 T	Sanipump ZFS 71.3 T	Sanipump ZFS 71.4 T
<b>Material</b>					
Shaft	Stainless steel	Stainless steel	Stainless steel	Stainless steel	Stainless steel
Pump housing	GG-20	GG-20	GG-20	GG-20	GG-20
Waterproofing	Carbon/ceramic	Carbon/ceramic	Carbon/ceramic	Carbon/ceramic	Carbon/ceramic
Foot	GG-20	GG-20	GG-20	GG-20	GG-20
Motor housing	GG-20	GG-20	GG-20	GG-20	GG-20
Impeller	GG-20	GG-20	GG-20	GG-20	GG-20
<b>Electrical features</b>					
Voltage (V)	230	400	400	400	400
Frequency (Hz)	50-60	50-60	50-60	50-60	50-60
Power consumption P1 (W)	2200	2100	2100	3900	3900
Power output P2 (W)	1600	1700	1700	3200	3200
Revolutions per minute (RPM)	2800	2800	2800	2800	2800
Electrical class	I	I	I	I	I
Motor insulation class	F	F	F	F	F
ATEX	Yes	Yes	Yes	Yes	Yes
Submerged	S1	S1	S1	S1	S1
Mode of operation	S3 40%	S3 40%	S3 40%	S3 40%	S3 40%
Immersion depth (m)	5	5	5	5	5
Power cable: length (m)	10	10	10	10	10
Power cable: type of cable, section (mm <sup>2</sup> )	S1BN8-F, 1.5	S1BN8-F, 1.5	S1BN8-F, 1.5	S1BN8-F, 1.5	S1BN8-F, 1.5
<b>Hydraulics</b>					
Max. head (m)	22	22	25	35	39
Max. flow rate (m <sup>3</sup> /h)	17	17	17	17	17
Discharge diameter DN	50	50	50	50	50
Max. temperature of the pumped liquid (5 min)	70°C	70°C	70°C	70°C	70°C
Type of impeller	Pro X K3 grinder	Pro X K3 grinder	Pro X K3 grinder	Pro X K3 grinder	Pro X K3 grinder
<b>Identification and logistics</b>					
Gross weight (kg)	38	38	38	42	42
Barcode	3308815081571	3308815081588	3308815081595	3308815081601	3308815081618
Product code	21410	21411	21412	21413	21332

Key: S - Single phase, T - Three-phase