

Sanipump VX 65/80

The Sanipump VX 65/80 are cast iron submersible pumps designed for the removal of black water and rainwater up to a maximum height of 35 m. They are equipped with a vortex impeller with a diameter of 120 to 190 mm, depending on the model, and an outlet in DN 65 or DN 80. Stationary installation on a DN 65, 80 or 100 is possible with the addition of a base. Sanipump VX 65/80 can be installed in a manhole or a pit.



PERFORMANCE

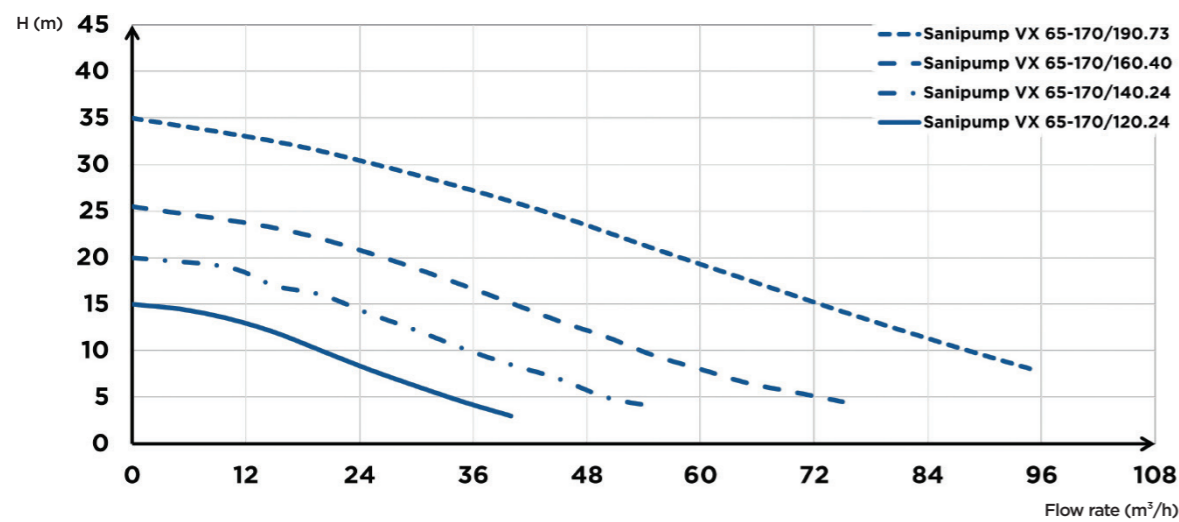
- Total head: 35 m
- Max. flow rate: 110 m³/h

PRODUCT BENEFITS

- Vortex impeller
- DN 50 outlet
- 12 versions, single and three-phase
- S1 mode (if motor fully submersed)
- Available in transportable or stationary version
- Compatible with Sanifos 1600/2100/3100

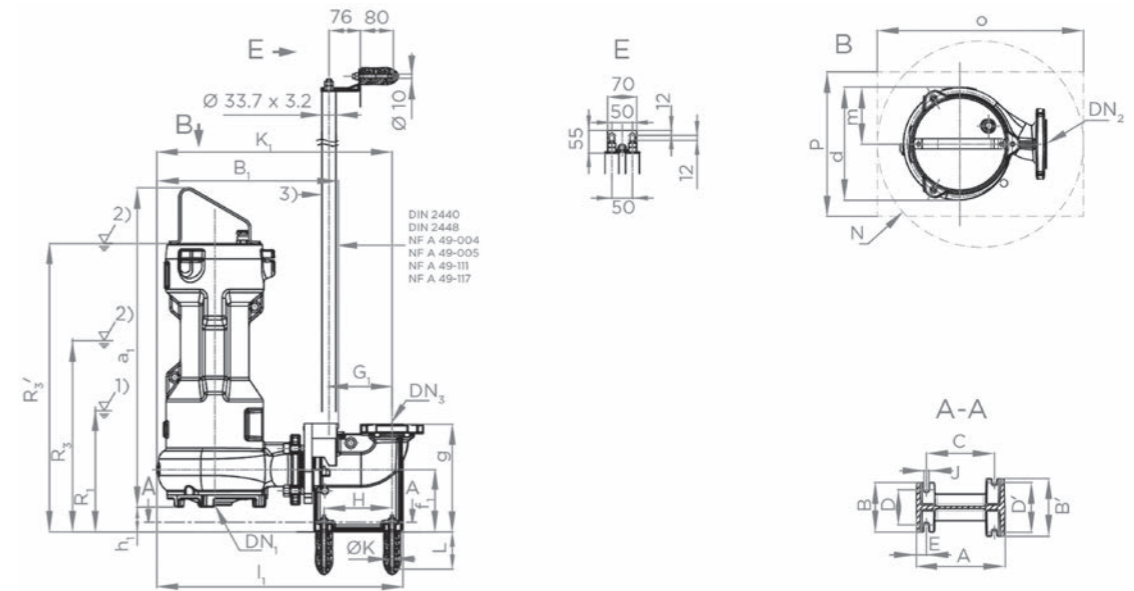


CURVE



DIMENSIONS

Sanipump VX 65 - Permanent installation with 2 guide bars



(1) Lowest stop level in automatic operation (2) Minimum submergence in continuous service (3) Not Provided by SFA

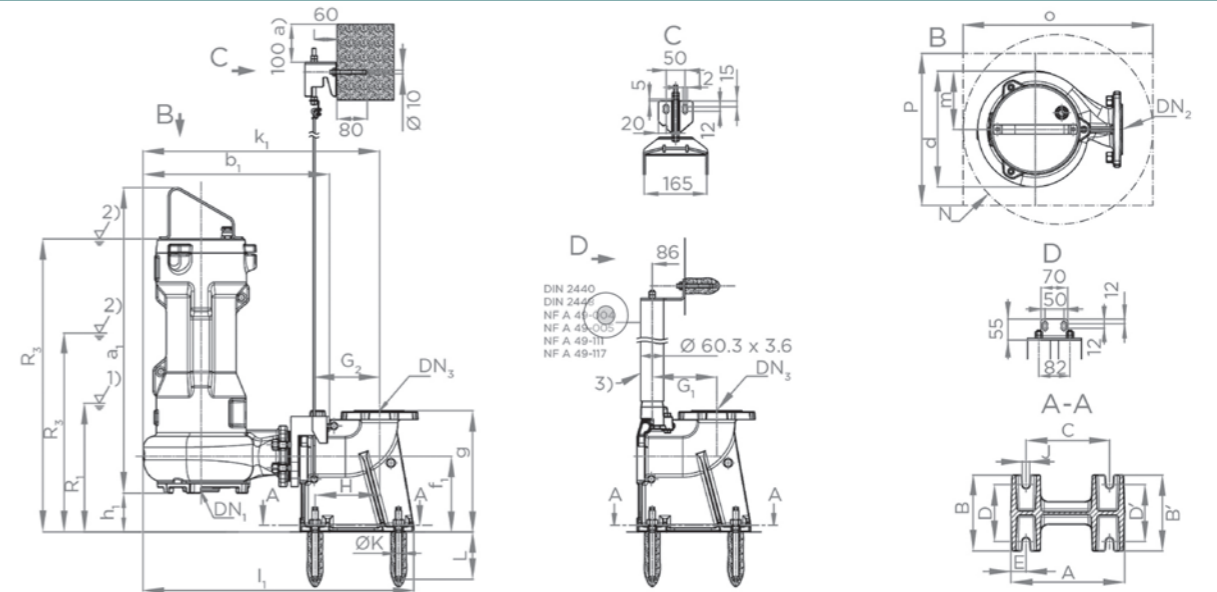
Pump unit dimensions (mm)

Pump power	DN ₁	DN ₂	a ₁	b ₁	d	D _r	f ₁	g	g _r	h ₁	H _r	k ₁	k _r	l ₁	m	Z _r	R1	R3'
.24 & .40	65	65	691	440	274	170	151	261	118	60	170	569	145	595	138	4	245	636
.73	65	65	763	440	274	170	151	261	118	60	170	569	145	595	138	4	357	688

Foundation block dimensions (mm)

Pump power	DN ₁	A	B	B'	C	D	D'	E	G ₁	H	J	ØK	L	N min.	O min.	P min.
.24 & .40	65	216	120	140	165	85	120	25	153	165	12	10	90	550	550	400
.73	65	216	120	140	165	85	120	25	153	165	12	10	90	550	550	400

Sanipump VX 80 - Permanent installation with 2 guide bars



(1) Lowest stop level in automatic operation (2) Minimum submergence in continuous service (3) Not Provided by SFA

Pump unit dimensions (mm)

Pump power	DN ₁	DN ₂	a ₁	b ₁	d	D _r	f ₁	g	g _r	h ₁	H _r	k ₁	k _r	l ₁	m	Z _r	R1	R3'
.40	80	80	701	492	305	160	200	320	132	103	200	623	160	713	154	4	298	689
.49 & .73	80	65	774	492	305	160	200	320	132	103	200	623	160	713	154	4	411	742

Foundation block dimensions (mm)

Pump power	DN ₁	A	B	B'	C	D	D'	E	G ₁	G ₂	H	J	ØK	L	N min.	O min.	P min.
.40	80	300	200	200	220	150	150	40	170	173	170	20	18	125	580	580	400
.49 & .73	80	300	200	200	220	150	150	40	170	173	170	20	18	125	580	580	400

	Sanipump VX 65-170/120.24	Sanipump VX 65-170/140.24	Sanipump VX 65-170/160.40	Sanipump VX 65-170/190.73
Material				
Shaft	Stainless steel	Stainless steel	Stainless steel	Stainless steel
Pump housing	EN-GJL-250	EN-GJL-250	EN-GJL-250	EN-GJL-250
Sealing on motor side	SIC/SIC/NBR	SIC/SIC/NBR	SIC/SIC/NBR	SIC/SIC/NBR
Fluid sealing	Carbon/Al203	Carbon/Al203	Carbon/Al203	Carbon/Al203
Motor housing	EN-GJL-250	EN-GJL-250	EN-GJL-250	EN-GJL-250
Impeller	EN-GJL-250	EN-GJL-250	EN-GJL-250	EN-GJL-250
Electrical features				
Voltage (V)	400	400	400	400
Frequency (Hz)	50	50	50	50
Power consumption P1 (W)	2950	2950	4860	8720
Power output P2 (W)	2400	2400	4000	7300
Revolutions per minute (RPM)	2900	2900	2900	2900
Electrical class	I	I	I	I
Motor insulation class	F	F	F	F
Submerged	S1	S1	S1	S1
Max. number of starts per hour	30	30	30	30
Immersion depth (m)	25	25	25	25
Power cable (m)	10	10	10	10
: Type of cable, Section	H07 RN8-F, 4x1 mm ²	H07 RN8-F, 4x1 mm ²	H07 RN8-F, 4x1 mm ²	H07 RN8-F, 4x1 mm ²
Hydraulics				
Max. head (m)	15	20	26	35
Max. flow rate (m ³ /h)	44	56	76	96
Discharge diameter DN	65	65	65	65
Free passage (mm)	65	65	65	65
Max. temperature of the pumped liquid (5 min)	40 °C	40 °C	40 °C	40 °C
Type of impeller	Vortex	Vortex	Vortex	Vortex
Identification and logistics				
Gross weight (kg)	65	65	69	91
EAN code	3308815090252	3308815090269	3308815090276	3308815090283
Product code	31024	31025	31026	31027

	Sanipump VX 80-220/160.40	Sanipump VX 80-220/170.49	Sanipump VX 80-220/190.73
Material			
Shaft	Stainless steel	Stainless steel	Stainless steel
Pump housing	EN-GJL-250	EN-GJL-250	EN-GJL-250
Sealing on motor side	SIC/SIC/NBR	SIC/SIC/NBR	SIC/SIC/NBR
Fluid sealing	Carbon/Al203	Carbon/Al203	Carbon/Al203
Motor housing	EN-GJL-250	EN-GJL-250	EN-GJL-250
Impeller	EN-GJL-250	EN-GJL-250	EN-GJL-250
Electrical features			
Voltage (V)	400	400	400
Frequency (Hz)	50	50	50
Power consumption P1 (W)	4860	5830	8720
Power output P2 (W)	4000	4900	7300
Revolutions per minute (RPM)	2900	2900	2900
Electrical class	I	I	I
Motor insulation class	F	F	F
Submerged	S1	S1	S1
Max. number of starts per hour	30	30	30
Immersion depth (m)	25	25	25
Power cable (m)	10	10	10
: Type of cable, Section	H07 RN8-F, 4x1 mm ²	H07 RN8-F, 4x1 mm ²	H07 RN8-F, 4x1 mm ²
Hydraulics			
Max. head (m)	21	24	30
Max. flow rate (m ³ /h)	80	95	110
Discharge diameter DN	80	80	80
Free passage (mm)	80	80	80
Max. temperature of the pumped liquid (5 min)	40 °C	40 °C	40 °C
Type of impeller	Vortex	Vortex	Vortex
Identification and logistics			
Gross weight (kg)	73	91	96
EAN code	3308815090290	3308815090306	3308815090313
Product code	31028	31029	31030

BASE FOR DN 65

Base for DN 65 Guide bars not supplied but the unit is compatible with 2 bars 33.7 x 3.2



3308815090375
Product code 21505
 Base for DN 65 2 guide bars (delivered without bar)

BASE FOR DN 80

Base for DN 80 Guide bars not supplied but the unit is compatible with 2 bars 60.3 x 3.6



3308815090382
Product code 21507
 Base for DN 80 2 guide bars (delivered without bar)

BASE FOR DN 65/80

Base for DN 65/80 Guide bars not supplied but the unit is compatible with 2 bars 33.7 x 3.2



3308815090399
Product code 21506
 Base for DN 65/80 2 guide bars (delivered without bar)

BASE FOR DN 80/100

Base for DN 80/100 - Base for DN 80/100 Guide bars not supplied but the unit is compatible with 2 bars 60.3 x 3.6



3308815090405
Product code 21508
 Base for DN 80/100 2 guide bars (delivered without bar)