

Sanipump Grinder or Vortex

Sanipump Grinder and Sanipump Vortex are two pumps designed for the removal of domestic waste water from toilets, bathrooms, kitchens or laundry rooms. The Sanipump Grinder's Pro X K2 grinding system allows the discharge of waste water through small diameter pipe. Sanipump Vortex comes with a vortex wheel KX V6. It can remove solids up to 50 mm. The Sanipump uses a float activation system.



PERFORMANCE

- Total head: 14 m
- Max. flow rate: 27 m³/h

DEPENDING ON MODEL

PRODUCT BENEFITS

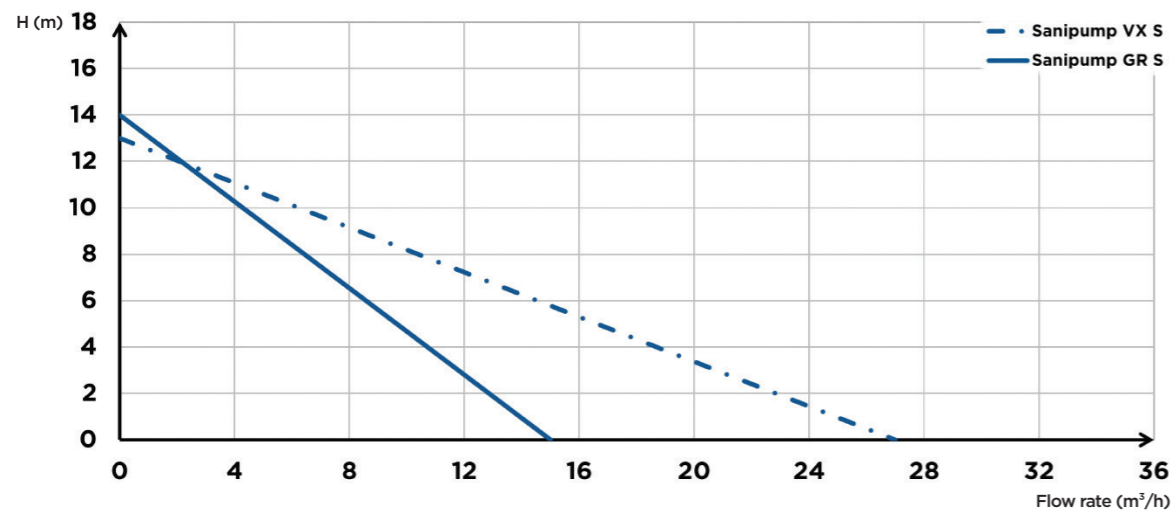
- Stand-alone operation
- 2 versions available, one with vortex technology and one with grinder technology
- Float activation system
- Maximum wastewater temperature: 70°C

PACKAGING

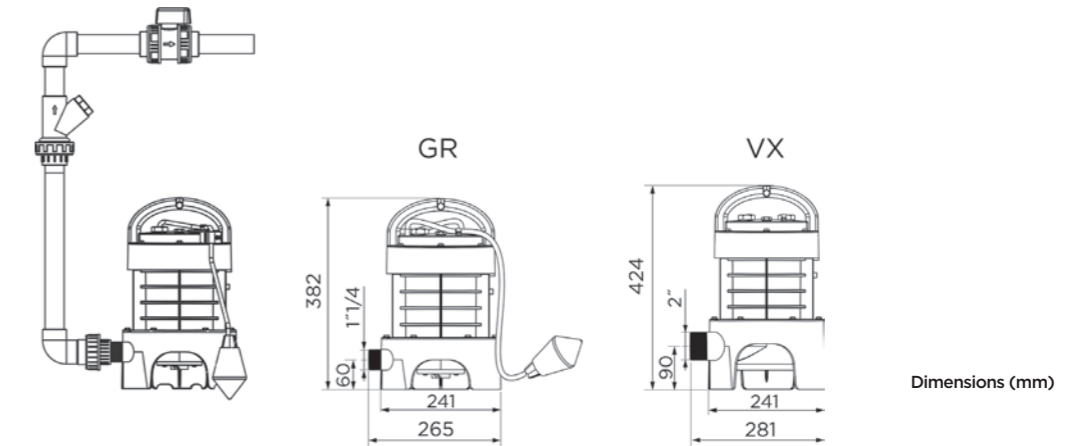
Sanipump with float activation



CURVE



DIMENSIONS



	Sanipump GR S	Sanipump VX S
Material		
Shaft	Stainless steel	Stainless steel
Pump housing	PA 6 GF	PA 6 GF
Waterproofing	NBR	NBR
Foot	PA 6 GF	PA 6 GF
Motor housing	PA 6 GF	PA 6 GF
Impeller	PA 6 GF	PA 6 GF
Electrical features		
Voltage (V)	230	230
Frequency (Hz)	50-60	50-60
Power consumption P1 (W)	1500	1500
Power output P2 (W)	1050	1050
Revolutions per minute (RPM)	2800	2800
Electrical class	I	I
Motor insulation class	F	F
Mode of operation	S3 30%	S3 15%
Immersion depth (m)	5	5
Power cable: length (m)	10	10
Power cable: type of cable, section (mm ²)	H07 RN-F 3G, 1.5	H07 RN-F 3G, 1.5
Hydraulics		
Max. head (m)	14	13
Max. flow rate (m ³ /h)	11	27
Discharge diameter G (inches)	1 1/4	2
ON level/OFF level (mm)	400/100	400/100
Max. temperature of the pumped liquid (5 min)	70°C	70°C
Type of impeller	Pro X K2 grinder	Vortex
Type of activation	Float	Float
Identification and logistics		
Gross weight (kg)	13	13
Barcode	3308815074610	3308815076201
Product code	30014	30015